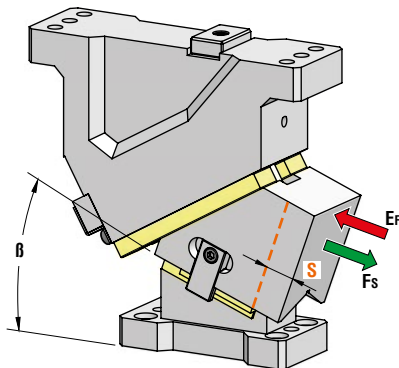


Cam Units CLF
Schieber CLF
Unità a Camme CLF

OMCR[®]
STANDARD DIE COMPONENTS

| OMCR CODE | Work Angle | Slider Width (mm) | Closed Cam Height (mm) | Work Area W x H (mm) | Max Work Force with shoulder 10 ⁶ cycles (kN) | Extraction Force (kN) | Page number |
|---------------|------------|-------------------|------------------------|----------------------|---|-----------------------|-------------|
| | β | | | | Fs | Ef | |
| CLF080 | 0÷70° | 80 | 270 | 80x86 | 116 | 1,26÷2,72 | 822 |
| CLF150 | 0÷70° | 150 | 270 | 150x85 | 192 | 3,66÷7,25 | 826 |

AERIAL CAM UNIT - OBEN HÄNGENDER SCHIEBER - UNITÀ A CAMME SOSPESA



| OMCR CODE | Work Angle | Stroke (mm) | Max Work Force with shoulder (kN) | Extraction Force (kN) |
|-----------|------------|-------------|-----------------------------------|-----------------------|
| | | | | Ef |
| | β | S | Fs | Spring |
| CLF080.00 | 0° | 32,14 | 116 | 2,47 |
| CLF080.05 | 5° | 38,45 | 116 | 2,72 |
| CLF080.10 | 10° | 38,89 | 116 | 2,47 |
| CLF080.15 | 15° | 39,65 | 116 | 2,21 |
| CLF080.20 | 20° | 46,08 | 116 | 2,47 |
| CLF080.25 | 25° | 47,78 | 116 | 2,21 |
| CLF080.30 | 30° | 54,25 | 116 | 2,47 |
| CLF080.35 | 35° | 57,36 | 116 | 2,21 |
| CLF080.40 | 40° | 64,28 | 116 | 2,47 |
| CLF080.45 | 45° | 69,64 | 116 | 2,21 |
| CLF080.50 | 50° | 77,79 | 116 | 2,47 |
| CLF080.55 | 55° | 87,17 | 116 | 2,21 |
| CLF080.60 | 60° | 98,48 | 116 | 1,92 |
| CLF080.65 | 65° | 81,56 | 116 | 1,59 |
| CLF080.70 | 70° | 86,38 | 116 | 1,26 |

OPTION CODE

| | |
|----|--------------------|
| SL | 1 ÷ 60 (1mm steps) |
| SW | 100 or 120 mm |
| N | Ø16H7 |

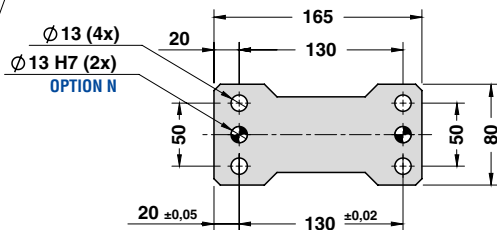
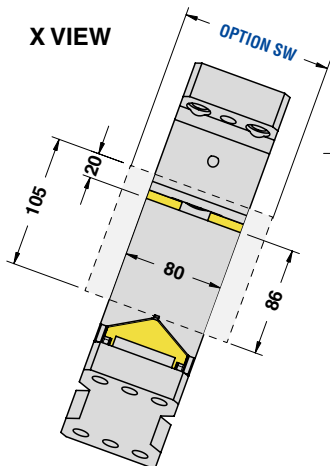
OPTION CODE



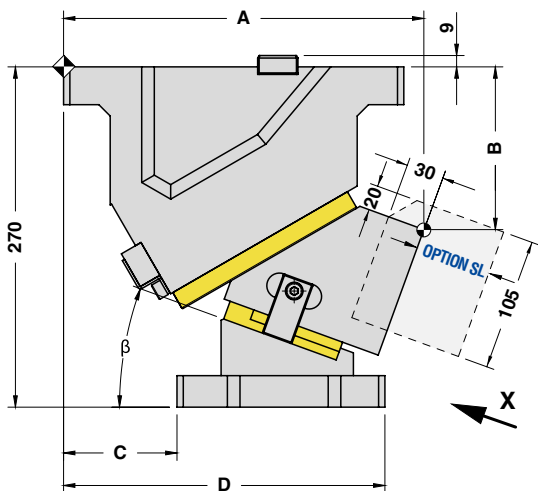
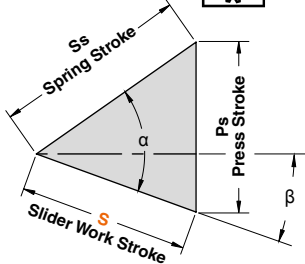
| Art. | Work Angle = 5° | SL | SW | N |
|--------|-----------------|------|-------|-----|
| CLF080 | 05 | SL55 | SW120 | N16 |

| OMCR CODE | Work Angle | Overall Dimensions (mm) | | | | |
|-----------|------------|-------------------------|--------|-----|-----|-----|
| | | β | A | B | C | D |
| CLF080.00 | 0° | 260 | 99 | 100 | 265 | 130 |
| CLF080.05 | 5° | 272,93 | 109,39 | 100 | 265 | 150 |
| CLF080.10 | 10° | 279,92 | 120,43 | 100 | 265 | 150 |
| CLF080.15 | 15° | 285,93 | 132,04 | 100 | 265 | 150 |
| CLF080.20 | 20° | 285,90 | 129,12 | 90 | 255 | 170 |
| CLF080.25 | 25° | 289,80 | 141,60 | 90 | 255 | 170 |
| CLF080.30 | 30° | 282,59 | 134,36 | 75 | 240 | 170 |
| CLF080.35 | 35° | 284,27 | 147,32 | 75 | 240 | 170 |
| CLF080.40 | 40° | 274,80 | 140,38 | 60 | 225 | 170 |
| CLF080.45 | 45° | 274,20 | 153,44 | 60 | 225 | 170 |
| CLF080.50 | 50° | 262,46 | 151,39 | 35 | 200 | 170 |
| CLF080.55 | 55° | 259,60 | 164,14 | 35 | 200 | 170 |
| CLF080.60 | 60° | 240,64 | 176,59 | 0 | 165 | 170 |
| CLF080.65 | 65° | 235,61 | 188,65 | -5 | 160 | 170 |
| CLF080.70 | 70° | 227,83 | 195,53 | -10 | 155 | 170 |

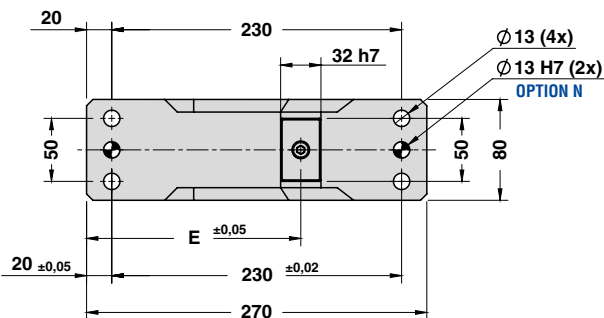
AERIAL CAM UNIT - OBEN HÄNGENDER SCHIEBER - UNITÀ A CAMME SOSPESA



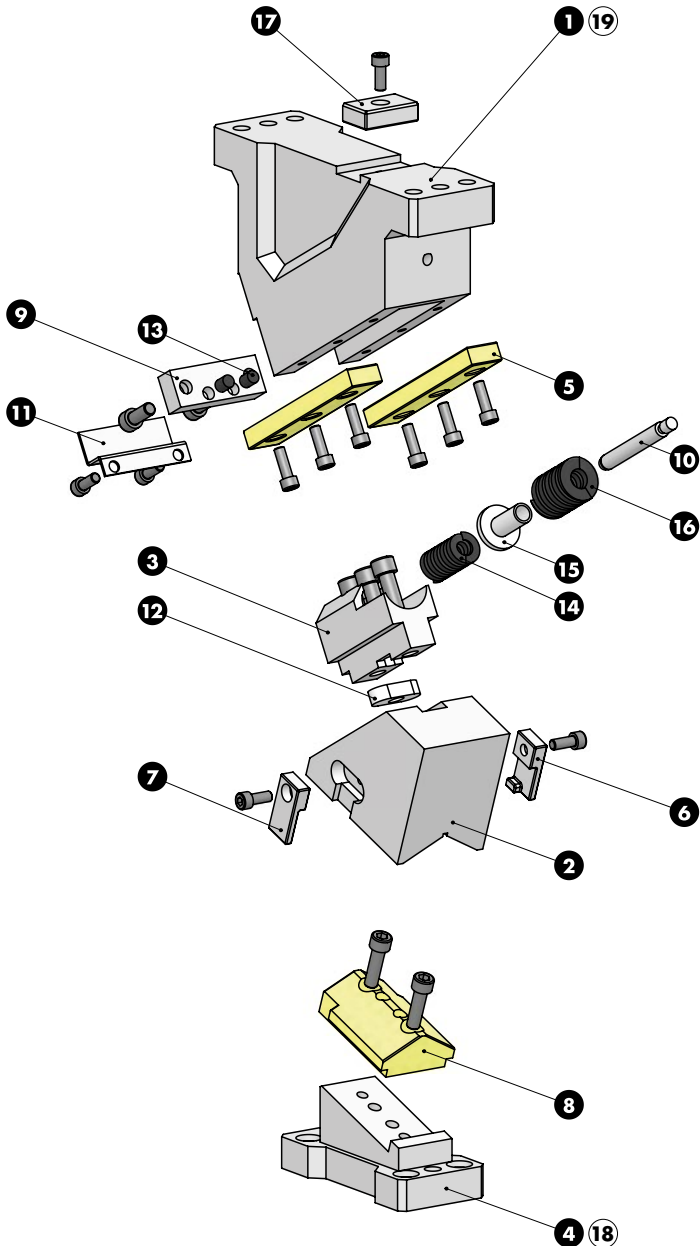
CAM DIAGRAM



| Work Angle | Inner Angle | Slider Work Stroke (mm) | Press Stroke (mm) | Spring Stroke (mm) |
|------------|-------------|-------------------------|-------------------|--------------------|
| β | α | S | Ps | Ss |
| 0° | 50° | 32,14 | 38,30 | 50 |
| 5° | 45° | 38,45 | 35,49 | 50 |
| 10° | 50° | 38,89 | 38,89 | 50 |
| 15° | 55° | 39,65 | 42,40 | 50 |
| 20° | 50° | 46,08 | 40,76 | 50 |
| 25° | 55° | 47,78 | 45,19 | 50 |
| 30° | 50° | 54,25 | 44,23 | 50 |
| 35° | 55° | 57,36 | 50,00 | 50 |
| 40° | 50° | 64,28 | 50,00 | 50 |
| 45° | 55° | 69,64 | 57,92 | 50 |
| 50° | 50° | 77,79 | 59,59 | 50 |
| 55° | 55° | 87,17 | 71,41 | 50 |
| 60° | 50° | 98,48 | 76,60 | 50 |
| 65° | 55° | 81,56 | 67,84 | 35 |
| 70° | 60° | 86,38 | 75,96 | 30 |

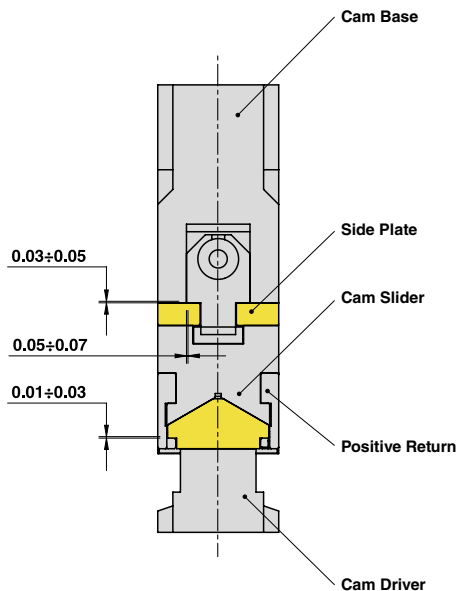


AERIAL CAM UNIT - OBEN HÄNGENDER SCHIEBER - UNITÀ A CAMME SOSPESA



AERIAL CAM UNIT - OBEN HÄNGENDER SCHIEBER - UNITÀ A CAMME SOSPESA

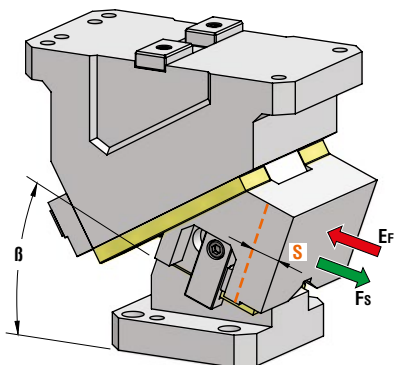
SLIDER STRUCTURE, POSITIVE RETURN STRUCTURE AND CLEARANCES



PART LIST

| Particular number | Description | Material | Quantity |
|-------------------|---|---------------------------------|----------|
| 1 | Cam Base | GGG-45 | 1 |
| 2 | Cam Slider | GG-25 | 1 |
| 3 | Spring Guide Block | GGG-45 + Graphite | 1 |
| 4 | Cam Driver | GG-25 | 1 |
| 5 | Side Plate | CuZn25Al5 + Graphite - HB > 190 | 2 |
| 6 | Positive Return R | CK45 | 1 |
| 7 | Positive Return L | CK45 | 1 |
| 8 | Male "V" Driver | CuZn25Al5 + Graphite - HB > 190 | 1 |
| 9 | Stopper Plate | St44 | 1 |
| 10 | Spring Guide Pin | 34CrMo4 | 1 |
| 11 | Safety Plate | St44 | 1 |
| 12 | Key | CK45 | 1 |
| 13 | Elastomer Cap | Elastomer 92SH | 2 |
| 14 | Spring | - | 1 |
| 15 | Spring Spacer | CK45 | 1 |
| 16 | Spring | - | 1 |
| 17 | Key | CK45 | 1 |
| 18 | Cam Driver Fixing Screws M12x40 DIN 912 | - | 4 |
| 19 | Cam Base Fixing Screws M12x45 DIN 912 | - | 4 |

AERIAL CAM UNIT - OBEN HÄNGENDER SCHIEBER - UNITÀ A CAMME SOSPESA



| OMCR CODE | Work Angle | Stroke (mm) | Max Work Force with shoulder (kN) | Extraction Force (kN) |
|-----------|------------|-------------|-----------------------------------|-----------------------|
| | β | S | F_s | E_f |
| CLF150.00 | 0° | 32,14 | 192 | 7,25 |
| CLF150.05 | 5° | 32,26 | 192 | 6,47 |
| CLF150.10 | 10° | 38,89 | 192 | 7,25 |
| CLF150.15 | 15° | 39,65 | 192 | 6,47 |
| CLF150.20 | 20° | 46,08 | 192 | 7,25 |
| CLF150.25 | 25° | 47,78 | 192 | 6,47 |
| CLF150.30 | 30° | 54,25 | 192 | 7,25 |
| CLF150.35 | 35° | 57,36 | 192 | 6,47 |
| CLF150.40 | 40° | 64,28 | 192 | 7,25 |
| CLF150.45 | 45° | 69,64 | 192 | 6,47 |
| CLF150.50 | 50° | 77,79 | 192 | 7,25 |
| CLF150.55 | 55° | 87,17 | 192 | 6,47 |
| CLF150.60 | 60° | 98,48 | 192 | 5,64 |
| CLF150.65 | 65° | 93,21 | 192 | 4,64 |
| CLF150.70 | 70° | 86,38 | 192 | 3,66 |

OPTION CODE

| | |
|---|--------|
| N | Ø16 H7 |
|---|--------|

OPTION CODE

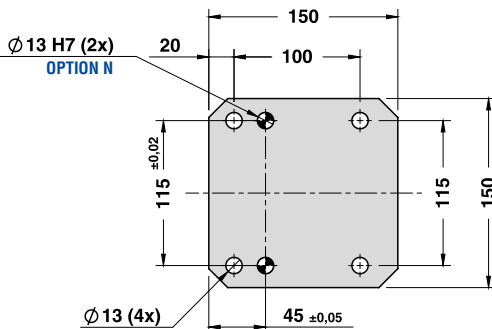
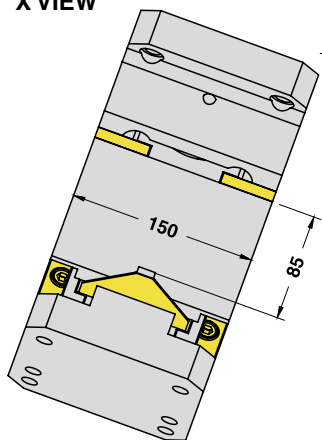


| Art. | Work Angle = 5° | N |
|--------|-----------------|-----|
| CLF150 | 05 | N16 |

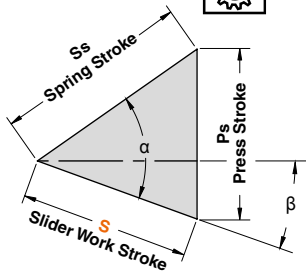
| OMCR CODE | Work Angle | Overall Dimensions (mm) | | | | |
|-----------|------------|-------------------------|--------|-----|-----|-----|
| | β | A | B | C | D | E |
| CLF150.00 | 0° | 280 | 85 | 120 | 270 | 100 |
| CLF150.05 | 5° | 288,26 | 95,84 | 115 | 265 | 100 |
| CLF150.10 | 10° | 285,54 | 102,36 | 105 | 255 | 100 |
| CLF150.15 | 15° | 291,79 | 114,47 | 105 | 255 | 100 |
| CLF150.20 | 20° | 286,97 | 122,07 | 90 | 240 | 135 |
| CLF150.25 | 25° | 291,02 | 135,08 | 90 | 240 | 135 |
| CLF150.30 | 30° | 283,92 | 138,40 | 70 | 220 | 135 |
| CLF150.35 | 35° | 285,66 | 151,91 | 70 | 220 | 135 |
| CLF150.40 | 40° | 276,20 | 155,53 | 45 | 195 | 170 |
| CLF150.45 | 45° | 275,56 | 169,14 | 45 | 195 | 170 |
| CLF150.50 | 50° | 263,74 | 167,65 | 25 | 175 | 170 |
| CLF150.55 | 55° | 260,74 | 180,94 | 25 | 175 | 170 |
| CLF150.60 | 60° | 246,60 | 193,92 | 0 | 150 | 170 |
| CLF150.65 | 65° | 241,35 | 206,49 | 0 | 150 | 170 |
| CLF150.70 | 70° | 240,01 | 218,56 | -5 | 145 | 170 |

AERIAL CAM UNIT - OBEN HÄNGENDER SCHIEBER - UNITÀ A CAMME SOSPESA

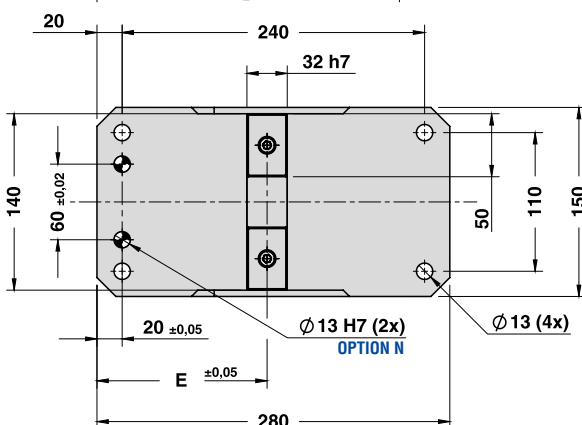
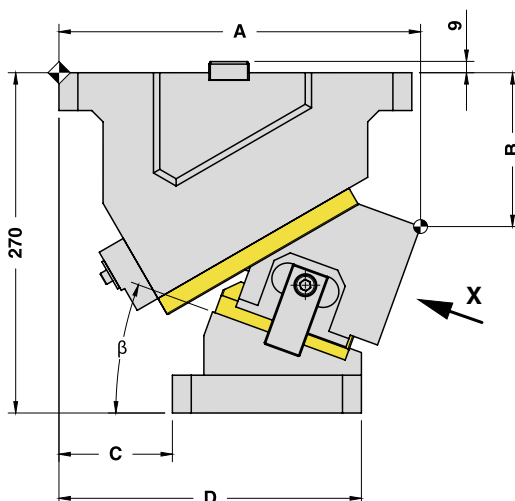
X VIEW



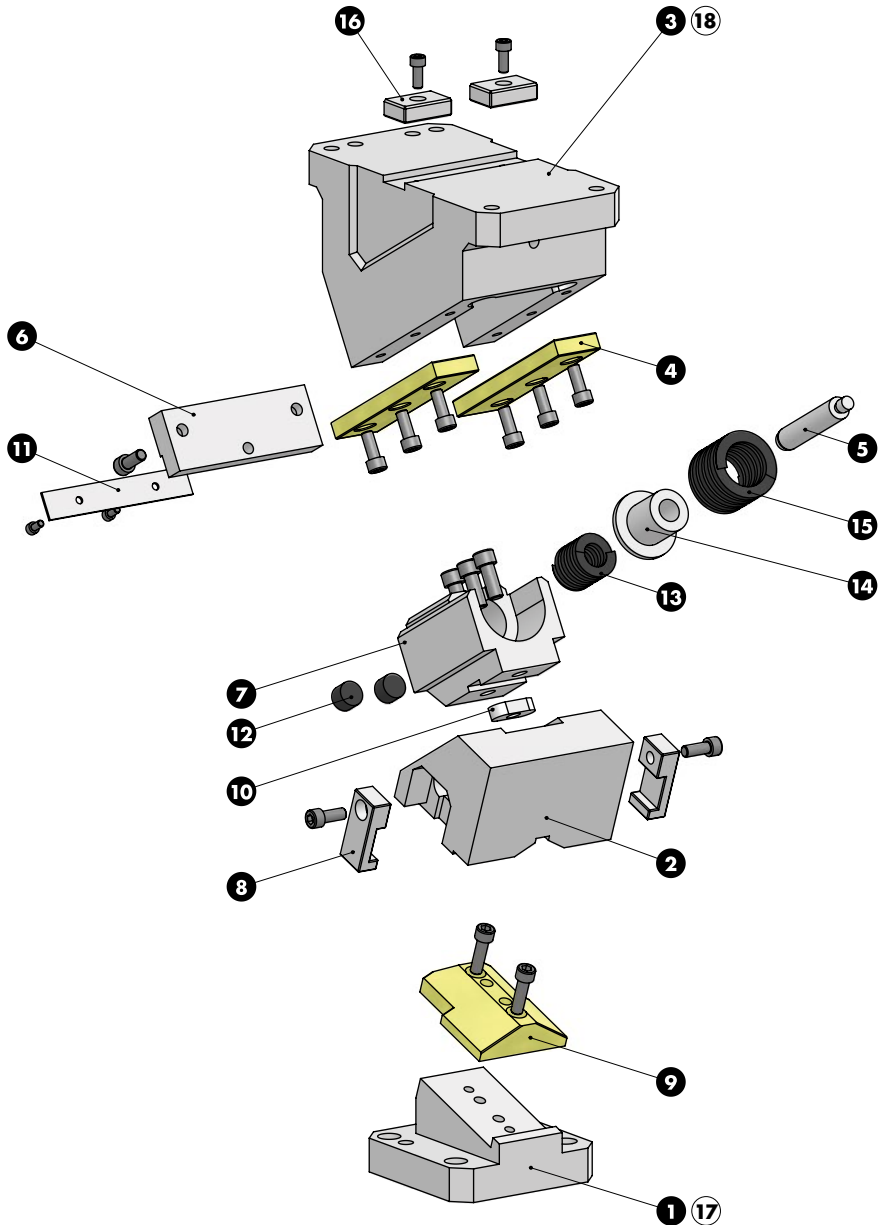
CAM DIAGRAM



| Work Angle | Inner Angle | Slider Work Stroke (mm) | Press Stroke (mm) | Spring Stroke (mm) |
|------------|-------------|-------------------------|-------------------|--------------------|
| β | α | S | Ps | Ss |
| 0° | 50° | 32,14 | 38,30 | 50 |
| 5° | 45° | 32,26 | 41,11 | 50 |
| 10° | 50° | 38,89 | 38,89 | 50 |
| 15° | 55° | 39,65 | 42,40 | 50 |
| 20° | 50° | 46,08 | 40,76 | 50 |
| 25° | 55° | 47,78 | 45,19 | 50 |
| 30° | 50° | 54,25 | 44,23 | 50 |
| 35° | 55° | 57,36 | 50,00 | 50 |
| 40° | 50° | 64,28 | 50,00 | 50 |
| 45° | 55° | 69,64 | 57,92 | 50 |
| 50° | 50° | 77,79 | 59,59 | 50 |
| 55° | 55° | 87,17 | 71,41 | 50 |
| 60° | 50° | 98,48 | 76,60 | 50 |
| 65° | 55° | 93,21 | 77,53 | 40 |
| 70° | 60° | 86,38 | 75,96 | 30 |

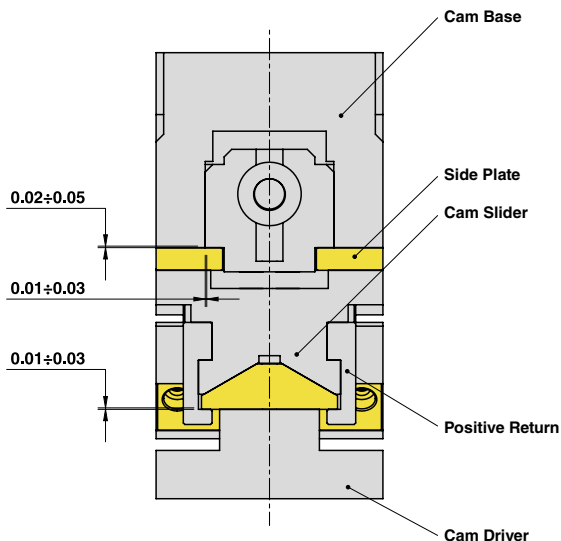


AERIAL CAM UNIT - OBEN HÄNGENDER SCHIEBER - UNITÀ A CAMME SOSPESA



AERIAL CAM UNIT - OBEN HÄNGENDER SCHIEBER - UNITÀ A CAMME SOSPESA

SLIDER STRUCTURE, POSITIVE RETURN STRUCTURE AND CLEARANCES



PART LIST

| Particular number | Description | Material | Quantity |
|-------------------|---|---------------------------------|----------|
| 1 | Cam Driver | GG-25 | 1 |
| 2 | Cam Slider | GG-25 | 1 |
| 3 | Cam Base | GG-25 | 1 |
| 4 | Side Plate | CuZn25Al5 + Graphite - HB > 190 | 2 |
| 5 | Spring Guide Pin | 34CrMo4 | 1 |
| 6 | Stopper Plate | St44 | 1 |
| 7 | Spring Guide Block | GGG-45 + Graphite | 1 |
| 8 | Positive Return | CK45 | 2 |
| 9 | Male "V" Driver | CuZn25Al5 + Graphite - HB > 190 | 1 |
| 10 | Key | CK45 | 1 |
| 11 | Safety Plate | St44 | 1 |
| 12 | Elastomer Cap | Elastomer 92SH | 2 |
| 13 | Spring | - | 1 |
| 14 | Spring Spacer | CK45 | 1 |
| 15 | Spring | - | 1 |
| 16 | Key | CK45 | 2 |
| 17 | Cam Driver Fixing Screws M12x45 DIN 912 | - | 4 |
| 18 | Cam Base Fixing Screws M12x45 DIN 912 | - | 4 |